

For Product Step File or 3D Model Send a Request Mail To info@nrack.com



Key Locks

Panel Locks

Plane Locks

3Point Locks
(Round & Flat)

Handle &
Knobs

Hinges

Airvents

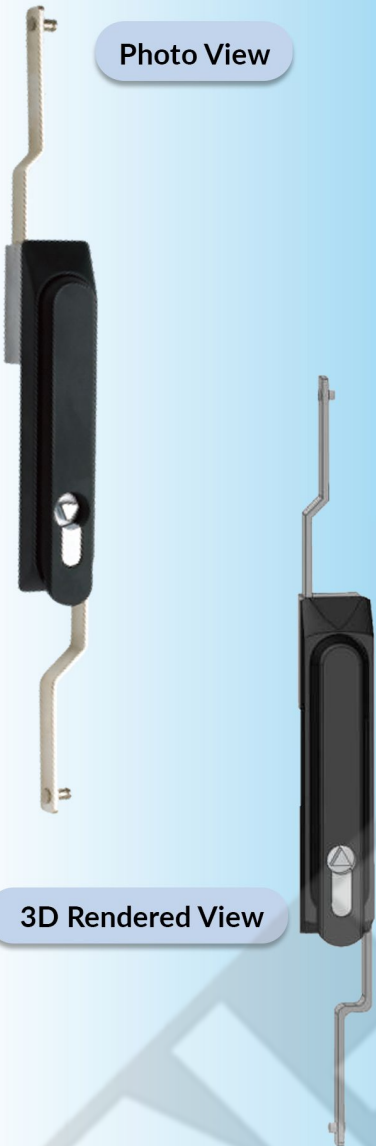
Gasketing

Canopy Locks

Other
Accessories

Stainless Steel

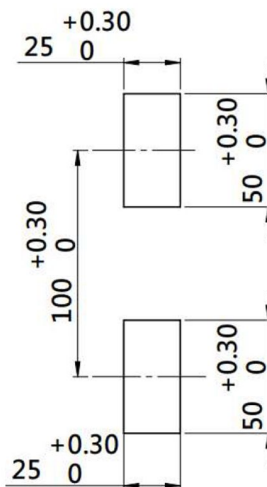
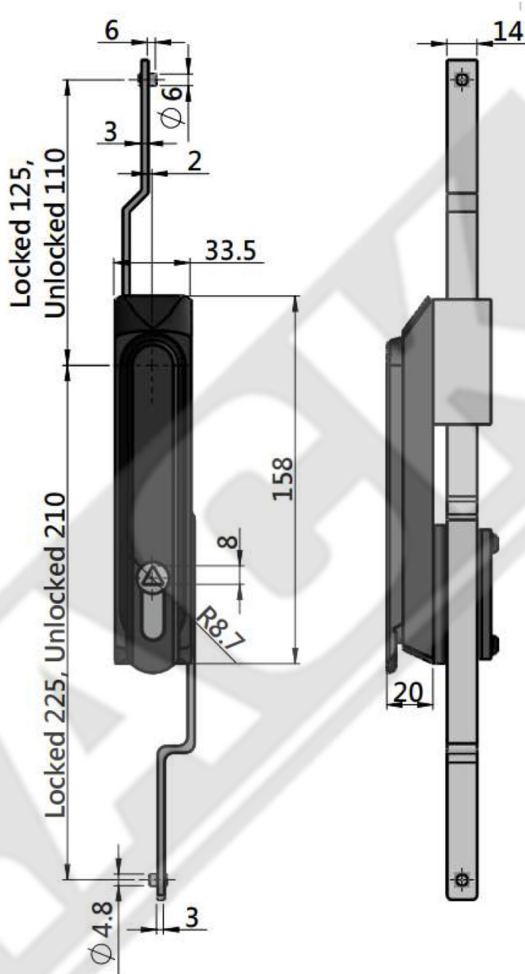
Photo View



3D Rendered View

ABB 100-3

- Material: PA body, brass shaft, Zinc plating or steel cam, sand bright chrome plating rack
- Finish: Matt black
- Panel thickness: 1~3mm
- Remark: cam cutout $\square 8 \times 8$



PANEL CUTOUT